

IMPORTANT INFORMATION TO READ and RETURN

Installation Requirements for a Whitley M95 Workstation

Thank you for choosing one of our products for your laboratory. To enable our engineers to perform an efficient, trouble-free installation please study, complete, and email this form to us at service@dwscientific.co.uk. Should you have any questions, please do not hesitate to contact us, as we are here to help. When we have received the completed form, our Service Department will contact you to arrange a mutually convenient installation date.

The following information represents the ideal requirement. Please contact us IMMEDIATELY if your intended location does not match this specification.

Please initial the boxes below as appropriate:

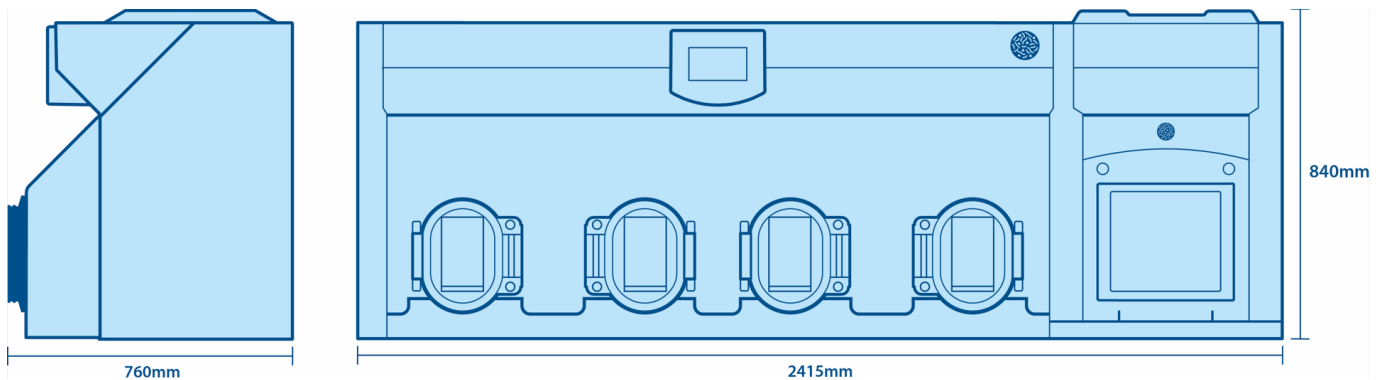
Access Requirements

For access, the dimensions below should be taken into account when checking the size of doorways, lifts, stairs, etc.

Space Requirements

The weight of the equipment is 207kg (or 230kg if fitted with the Whitley HEPA Filtration system). If bench mounted, the bench allocated must be flat, level, and of sufficient size to support the base fully.

External Dimensions



Important note: In addition to the dimensions stated above, a further minimum clearance of 500mm is required above the unit and a minimum clearance of 200mm at the left-hand side of the unit is required for user/service access.

The M95 may be shipped in two parts (the airlock separated from the chamber) to facilitate delivery to your laboratory (negotiating lifts, corridors, doorways, etc). the chamber is 1885mm wide, 760mm deep and 840mm high and the airlock is 530mm wide, 520mm deep and 840mm high.

Gas Requirements

The incoming gas supplies must be terminated near the right-hand side of the main chamber and fitted with leak-proof taps and pressure gauges.

The gas lines to which the equipment is attached are the responsibility of the user and should be constructed, tested and maintained to the standards specified within the British Compressed Gases Association (BCGA) Code of Practice CP4 (or international equivalent). Gas lines previously used for flammable gases must be purged prior to re-use.

Regulators should be fitted in accordance with the information contained in the table below and the various pressures strictly adhered to.

Gas Type	Connection Details	Cylinder Regulator Required	Regulator Outlet Range	Flow Rate
Hydrogen (10%) / Nitrogen (90%)	¼" BSP male fitting or connection for 6mm Polyurethane tubing. Hydrogen Regulator – Two Stage – Order Code A01745	Two stage	4 - 6 bar (60-90 psi)	10 litres per minute (dynamic)
Carbon dioxide	¼" BSP male fitting or connection for 6mm Polyurethane tubing. CO2 Regulator – Two Stage – Order Code A01747	Two Stage	4 - 6 bar (60-90 psi)	10 litres per minute (dynamic)
Air	¼" BSP male fitting or connection for 6mm Polyurethane Tubing Air Regulator – Two Stage – Order Code – A01554	Two Stage	4 - 6 bar (60-90 psi)	Minimum 10 litres per minute (dynamic)
Nitrogen	¼" BSP male fitting or connection for 8mm Polyurethane tubing Nitrogen Regulator – Two Stage – Order Code A01748	Two Stage	4 - 6 bar (60-90 psi)	Minimum 150 litres per minute (dynamic)

Suitable Connection Types (to affix to gas outlets on bottle/wall):



Push in connection

(Fittings of choice for DWS. Supplied with DWS spares kit).



Push on connection

(Alternative option. Not supplied by DWS)

Mains Requirements

Electricity Supply:

240 Volts

Wall Socket:

1 x Three Pin, 13 Amp. Minimum 6A rating

Other Considerations

Although the workstation should be located in a well-ventilated area, avoid close proximity to air conditioning systems and draughts caused by windows and doors.

Remember, if you do not have the required regulators you can order them from Don Whitley Scientific:

- Hydrogen – Two Stage – Order Code **A01745**
- Carbon Dioxide Regulator – Order Code **A01747**
- Air Regulator – Two Stage – Order Code **A01554**
- Nitrogen Regulator – Two Stage – Order Code **A01748**

Decontamination and Removal

If an existing unit is being taken in part exchange or is being removed from the laboratory, it must be de-contaminated before DWS staff handle the unit. A certificate or signed letter confirming the unit has been decontaminated must be given to our engineer.

There is a £400 fee for DWS to remove an existing unit from site. Please tick to accept this charge and an invoice will be provided.

If DWS is removing an existing workstation(s), please note the serial number(s) in the adjacent box.

Temperature Mapping Option

If you have purchased the temperature mapping option along with your workstation, please specify the required temperature in the adjacent box.

Important

In the UK, delivery and installation are free of charge (unless otherwise agreed). If our engineers are unable to install the unit and a return journey is necessary, **a charge may be made**. Export customers, please refer to your local distributor.

It is essential that this form is completed and returned, to avoid delay to your installation.

Signature	<input type="text"/>	Title	<input type="text"/>
Print Name	<input type="text"/>	Establishment	<input type="text"/>

THANK YOU FOR THINKING WHITLEY